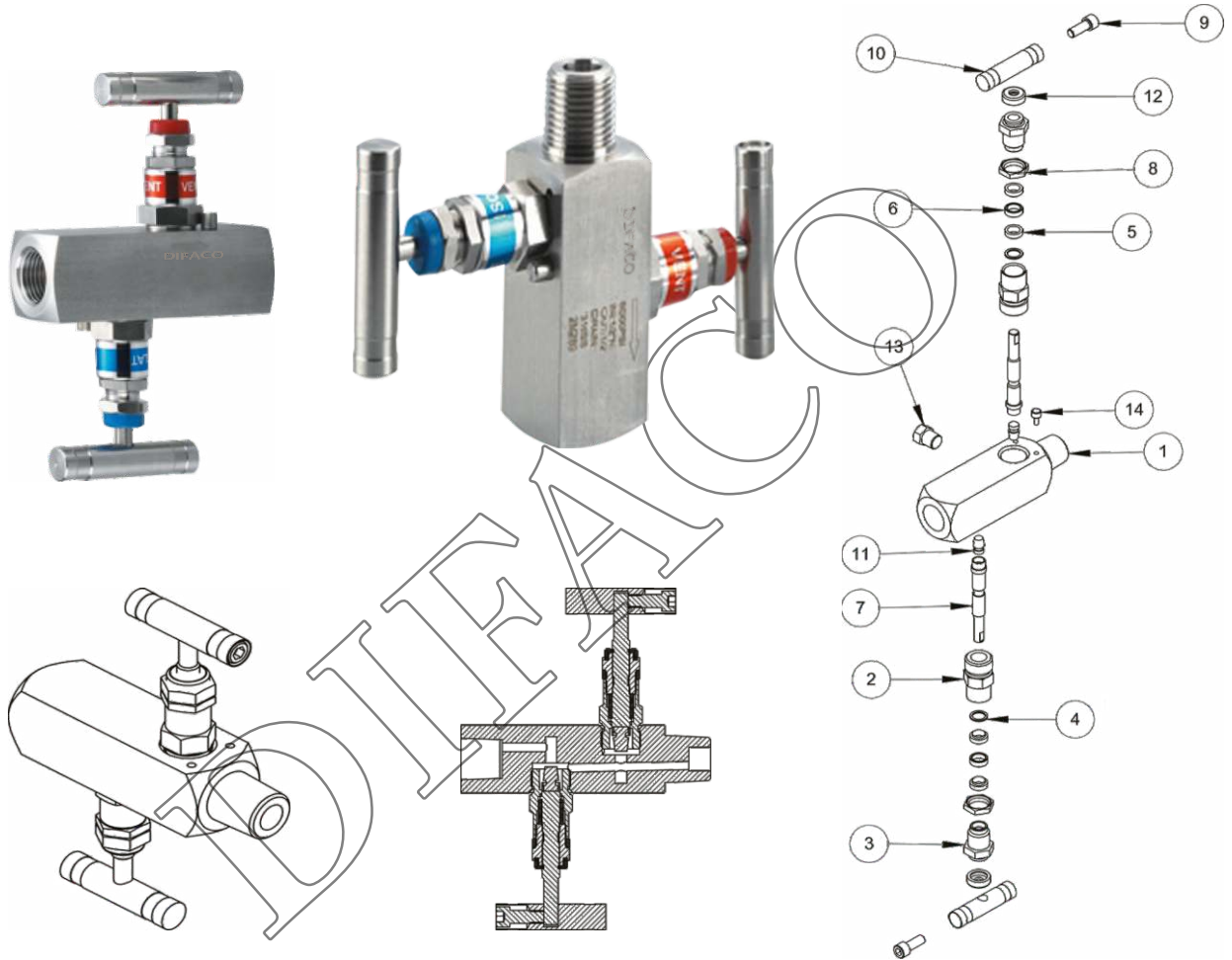


# 2 VALVE MANIFOLD DM2V-01A

Squer. Needle Valve, hard seat  
6000 ~ 10000 psi



## Ordering Information

MODEL	IN LET	OUT LET		
M2V-01A	1/2" NPT-MALE	1/2" NPT-FEMALE		
M2V-01B	1/2" NPT-FEMALE	1/2" NPT-FEMALE		