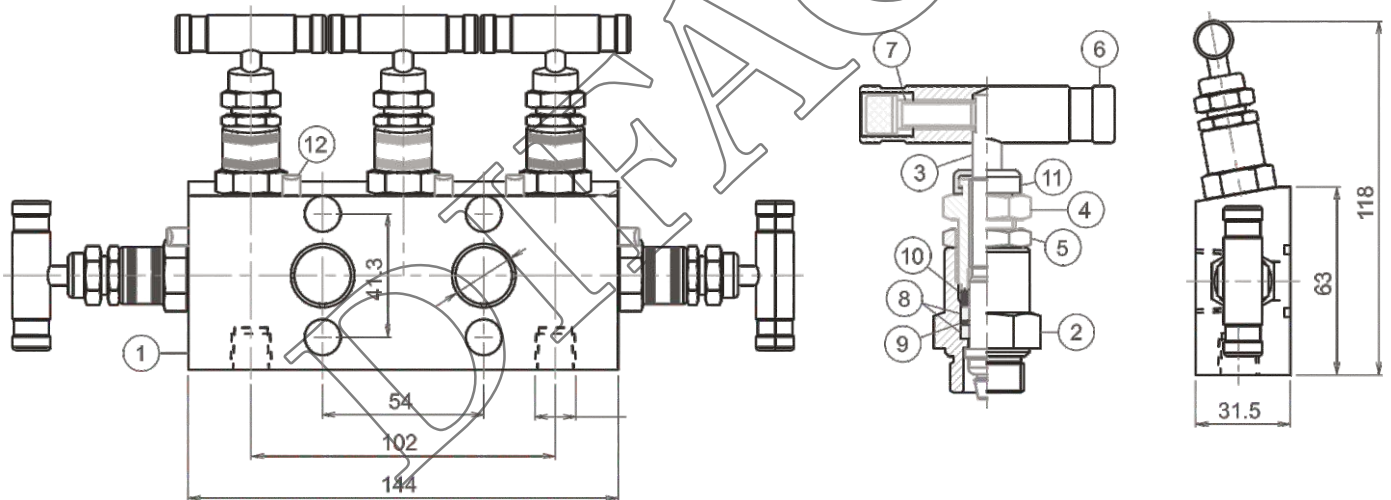
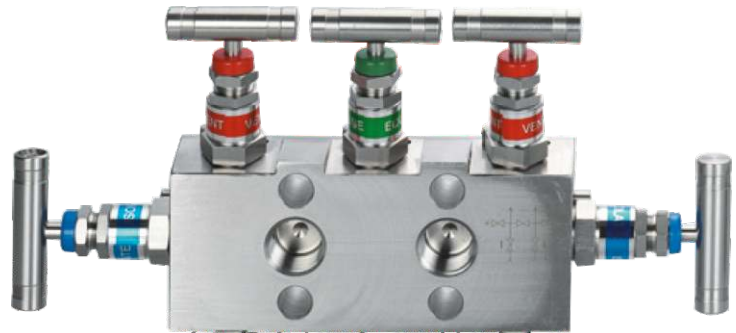


# 5 VALVE MANIFOLDS

For P.T Rosemount 3051

Flat. Needle Valve, hard seat  
6000 ~ 10000 psi



## Ordering Information

MODEL	IN LET	OUT LET	MATERIAL	MAX.W.P
M5V-01	1/2 NPT-FEMALE	FOR 3051	SS 316L,304L	6000 PSI OPTION(10000psi)