

3351 Series Pressure Transmitter



DIFA Engineering Company (DIFACO) aims to provide engineering services, production and supply of instrumentation and process control equipment and operates in three departments of design and engineering, production and trade, and after years of continuous activity in major industries such as oil, gas, Petrochemical, Cement Industries, Water and Sewerage Industries, etc. has identified the needs of the above industries and has equipped and trained its various units according to the needs of these industries and during its activity, has been able to carry out several projects. To perform successfully in the above industries.

GENERAL

DIFA AT3351TG/TA series is a digital pressure transmitter designed for industrial pressure measurement applications. The AT3051TG(TA) offer configurations for gauge pressure, absolute pressure and vacuum including integrated solutions for industrial applications.

FEATURES Updating time of output current in 90 ms ,Improved performance, increased accuracy and greater stability

Two years stability of 0.15%

0.1% accuracy

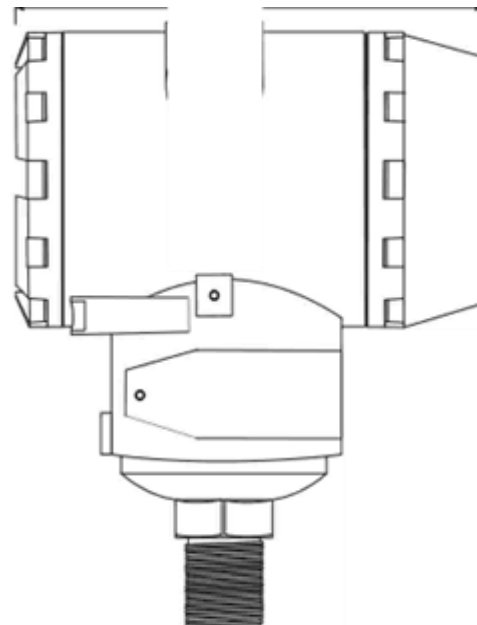
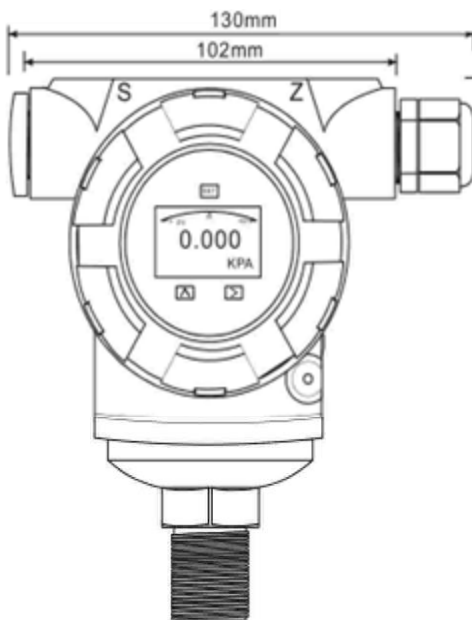
Parameter setting by keypad directly

4-20 mA output plus direct digital HART communication

Automatic zero calibration by press-button

Explosion proof and weather proof housing

DIMENSIONS



GENERAL

Item	Code	Specification
AT3051T		Gauge Pressure Transmitter
AT3051T		Absolute Pressure Transmitter
Measurement Range	3	0-1.5~7.5 Kpa
	4	0~37.4 Kpa
	5	0~186.8 Kpa
	6	0~690 Kpa
	7	0~2068 Kpa
	8	0~6890 Kpa
	9	0~20680 Kpa
	0	0~41370 Kpa
Output	S	4-20mA, HART Protocol, Linear output
Diaphragm Material	2	Stainless Steel 316L
	3	Hastelloy C
Fill Fluid	2	Silicone Oil
	3	Fluorine oil
Process Connection	D	1/2" NPT F
	A	M20*1.5
	B	1/2" NPT M
	C	1/2" G
	M	Customizable
Cable Entry	1	M20*1.5 or 1/2"NPT
Mounting Bracket	B00	None
	B15	Tube-type Flat Bracket (carbon steel)
	B16	Wall mounting bracket (carbon steel)
	B17	Tube-type Flat Bracket (stainless steel)
Optional	B18	Wall mounting bracket (stainless steel)
	d	Intrinsically safe type, Flameproof (Exd IIC T4~T6)
	i	Intrinsically safe (Exia IIC T4~T6)
	M5	LCD display
	K1	Degreasing treatment
	L1	Hanging tag
	5C6	Lightning protection

Contact :

WebSite : www.difaco.com

Email: info@difaco.com

Tell : +9821 88343692-3

