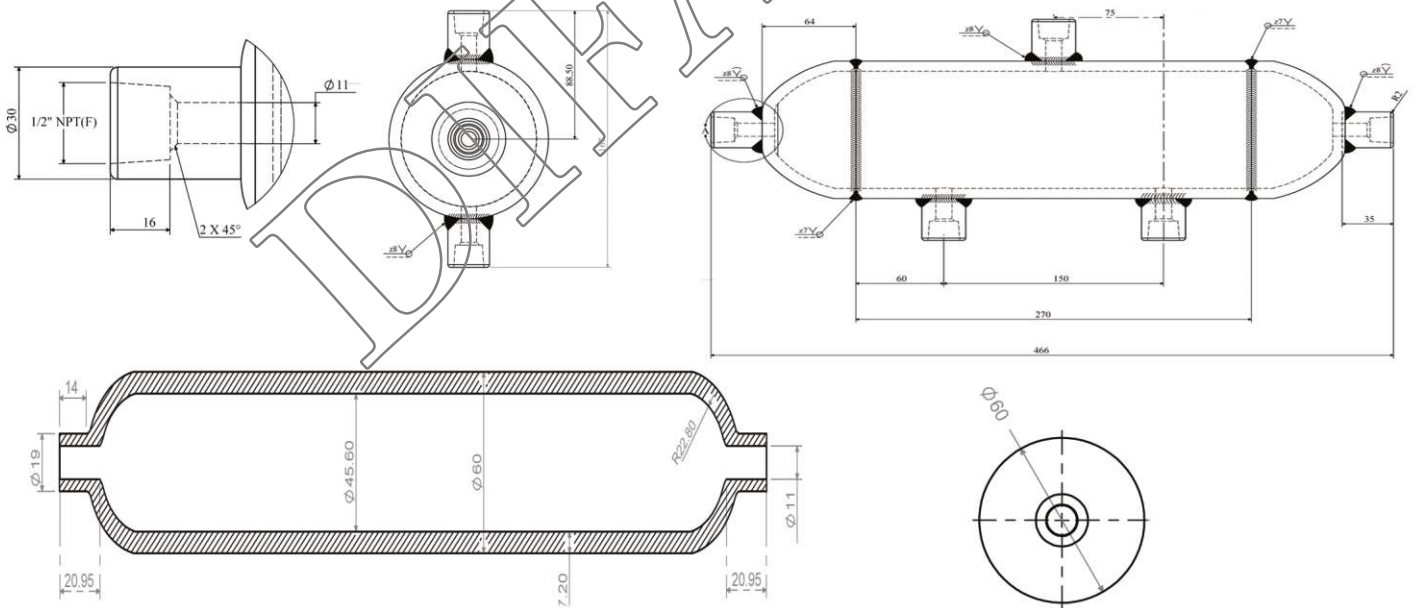


SEAL POT (Sample Cylinders)

20 ~ 200 bar



Ordering Information

Material	Pressure rating	internal Volume ($\text{cm}^3 \pm 5\%$)	Connection Size
SS 304L, 316 L, A105, Alloy400	20, 100, 200 Bar	300, 500 ~ 3000 cm^3	1/8" , 1/4" , 1/2" , 1"