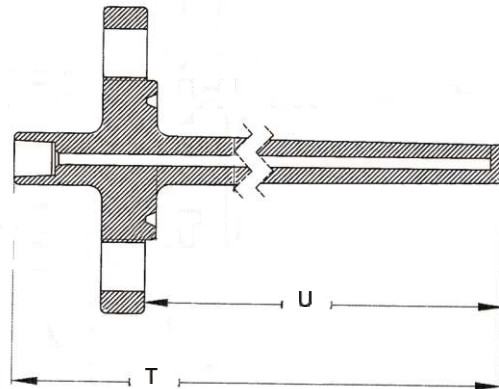
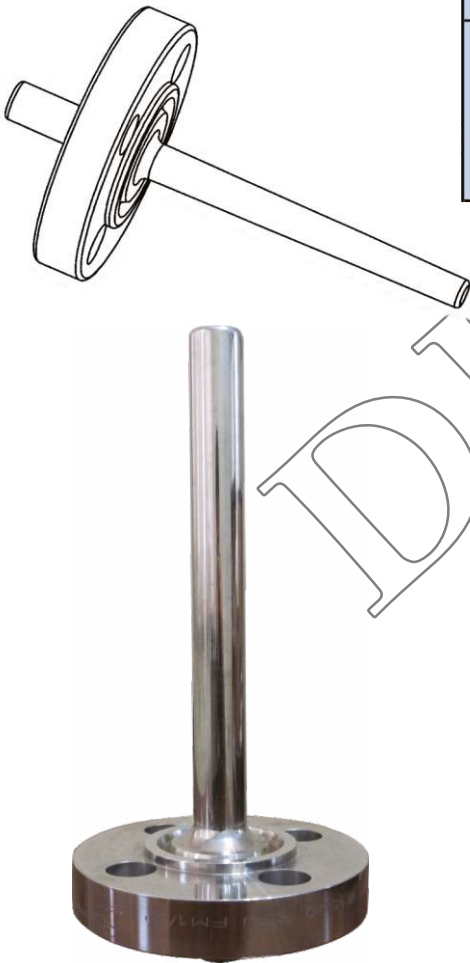


THERMOWELL

Flanged Thermowell

DTW1	THR MOWELLS			
#1	Configuration		B	Built-up Thermowell
A	Step shank (Standard)		X	Other,specify
S	Straight shank			
T	Tapered shank			
#2	BORE SIZE			
2	7mm			
3	9mm			
X	Other,specify			
#3	U LENGTH (mm)			
#4	WELL AND FLANGE MATERIL			
C	Carbon steel			
S	304 L SS			
L	316 L			
M	Inconel 600			
H	Hastelloy C-276			
X	Other specify			
#5	SIZE OF FLANGE			
3	1"		5	2"
4	1 1/2"		X	Other,specify
#6	FLANGE RATING			
A"	150		E	1500
B"	300		F	3000
C"	600		x	Other,specify
D"	900			
#7	FLANGE RATING			
1	Raised face (RF)			
2	Ring Joint Type (RTJ)			
X	Other specify			



DTW1	A	2	3	0	0	L	3	B	X
-------------	----------	----------	----------	----------	----------	----------	----------	----------	----------