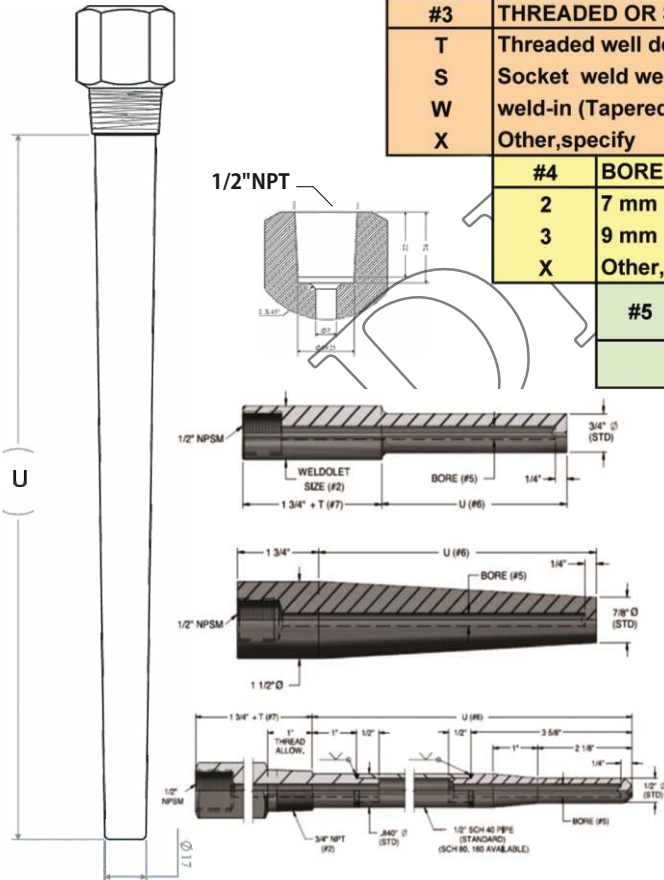


THERMOWELL



DTW2															
#1	<table border="1"> <thead> <tr> <th>THREADED WELLS / EXTERNAL THREAD</th> <th>SOCKET WELL WELDOLET SIZE</th> </tr> </thead> <tbody> <tr> <td>1 1/2" NPT</td> <td>N/A</td> </tr> <tr> <td>2 3/4" NPT(Standard)</td> <td>3/4" 1.050"ø</td> </tr> <tr> <td>3 1"NPT</td> <td>1" 1.315"ø</td> </tr> <tr> <td>4 1 1/2" NPT</td> <td>1 1/2" 1.900"</td> </tr> <tr> <td>X Other,specify</td> <td></td> </tr> </tbody> </table>	THREADED WELLS / EXTERNAL THREAD	SOCKET WELL WELDOLET SIZE	1 1/2" NPT	N/A	2 3/4" NPT(Standard)	3/4" 1.050"ø	3 1"NPT	1" 1.315"ø	4 1 1/2" NPT	1 1/2" 1.900"	X Other,specify			
THREADED WELLS / EXTERNAL THREAD	SOCKET WELL WELDOLET SIZE														
1 1/2" NPT	N/A														
2 3/4" NPT(Standard)	3/4" 1.050"ø														
3 1"NPT	1" 1.315"ø														
4 1 1/2" NPT	1 1/2" 1.900"														
X Other,specify															
#2	<table border="1"> <thead> <tr> <th>SHANK STYLE [15]</th> </tr> </thead> <tbody> <tr> <td>A Step shank</td> </tr> <tr> <td>S Straight shank</td> </tr> <tr> <td>T Tapered shank</td> </tr> <tr> <td>X Other,specify</td> </tr> </tbody> </table>	SHANK STYLE [15]	A Step shank	S Straight shank	T Tapered shank	X Other,specify									
SHANK STYLE [15]															
A Step shank															
S Straight shank															
T Tapered shank															
X Other,specify															
#3	<table border="1"> <thead> <tr> <th>THREADED OR SOCKET WELD WELLS</th> </tr> </thead> <tbody> <tr> <td>T Threaded well design</td> </tr> <tr> <td>S Socket weld well design</td> </tr> <tr> <td>W weld-in (Tapered shank standard)</td> </tr> <tr> <td>X Other,specify</td> </tr> </tbody> </table>	THREADED OR SOCKET WELD WELLS	T Threaded well design	S Socket weld well design	W weld-in (Tapered shank standard)	X Other,specify									
THREADED OR SOCKET WELD WELLS															
T Threaded well design															
S Socket weld well design															
W weld-in (Tapered shank standard)															
X Other,specify															
#4	<table border="1"> <thead> <tr> <th>BORE SIZE</th> </tr> </thead> <tbody> <tr> <td>2 7 mm</td> </tr> <tr> <td>3 9 mm</td> </tr> <tr> <td>X Other,specify</td> </tr> </tbody> </table>	BORE SIZE	2 7 mm	3 9 mm	X Other,specify										
BORE SIZE															
2 7 mm															
3 9 mm															
X Other,specify															
#5	<table border="1"> <thead> <tr> <th>U LENGTH (mm)</th> </tr> </thead> <tbody> <tr> <td></td> </tr> </tbody> </table>	U LENGTH (mm)													
U LENGTH (mm)															
#6	<table border="1"> <thead> <tr> <th>WELL MATERIL</th> </tr> </thead> <tbody> <tr> <td>E F22</td> </tr> <tr> <td>F F11</td> </tr> <tr> <td>G Cabon steel</td> </tr> <tr> <td>H 304 Stainless steel</td> </tr> <tr> <td>I Low Carbon 304 Stainless steel</td> </tr> <tr> <td>J 310 Stainless steel</td> </tr> <tr> <td>K 316 Stainless steel (Standard)</td> </tr> <tr> <td>L Low Carbon 316 Stainless steel</td> </tr> <tr> <td>M Inconel 600</td> </tr> <tr> <td>N Monel 400</td> </tr> <tr> <td>O Hastelloy C-276</td> </tr> <tr> <td>S Titanium</td> </tr> <tr> <td>X Other,specify (i.e.:Teflon,PVC,Nickel,etc.)</td> </tr> </tbody> </table>	WELL MATERIL	E F22	F F11	G Cabon steel	H 304 Stainless steel	I Low Carbon 304 Stainless steel	J 310 Stainless steel	K 316 Stainless steel (Standard)	L Low Carbon 316 Stainless steel	M Inconel 600	N Monel 400	O Hastelloy C-276	S Titanium	X Other,specify (i.e.:Teflon,PVC,Nickel,etc.)
WELL MATERIL															
E F22															
F F11															
G Cabon steel															
H 304 Stainless steel															
I Low Carbon 304 Stainless steel															
J 310 Stainless steel															
K 316 Stainless steel (Standard)															
L Low Carbon 316 Stainless steel															
M Inconel 600															
N Monel 400															
O Hastelloy C-276															
S Titanium															
X Other,specify (i.e.:Teflon,PVC,Nickel,etc.)															



DTW2 2 A T 2 E T H 1