

DIFA 3351 Series Differential Pressure Transmitter



DIFA3351 Series Differential Pressure Transmitter With more variety and efficiency is a Good solution for Control Plants and System problem diagnosis

GENERAL

DIFA 3351DP/GP series is a digital differential pressure transmitter designed for industrial pressure measurement applications.

The DF 3351 can configured to provide integrated solutions for a broad range of pressure and flow measurement applications.

FEATURES

Updating time of current in 90 ms, , increased accuracy and greater stability

Two years stability of 0.15% , 0.1% accuracy Parameter setting by keypad directly

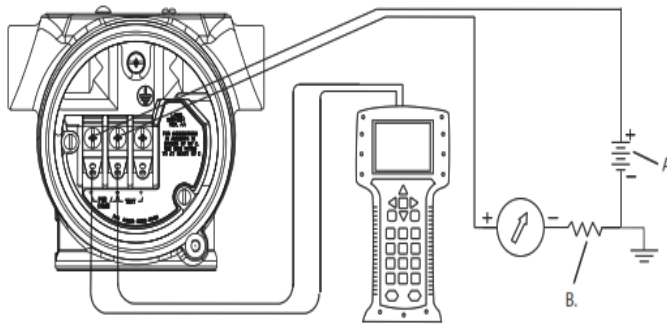
4-20 mA output plus direct digital HART communication

Automatic zero calibration by press-button Explosion proof and weatherproof housing Output.

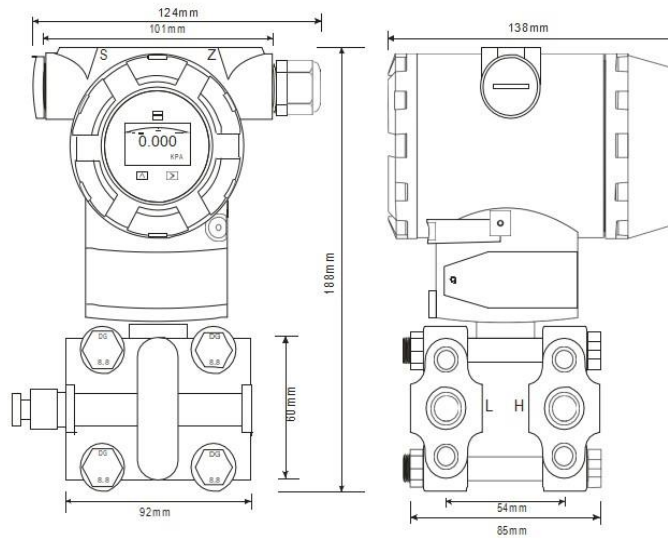
STANDARD SPECIFICATION

Process Fluid	Liquid, Gas or Vapor	Display	5 Digits programmable & 0-100% Bargraph
Application	Absolute Pressure, Gauge Pressure, Differential Pressure	Display Unit	Standard 22 different engineering unit 5 Digits programmable for special unit
Measuring Range	0 - 0.16 kPa ~ 0 - 1.0 kPa (Minimum) 0 - 4.0 MPa ~ 0 - 20.0 MPa (Maximum)	Keypad	3 Internal keys for programming and output setting
Accuracy	+/- 0.1% of span	Current Output	4 - 20 mA 2 wires with Hart signal (Compatible) Load: $R_{ohm} = (V_{dc} - 9) * 50$
Stability	+/-0.15% of URL for 2 years	Power Supply	9 - 32 VDC
Working Temperature	-25 to +95 °C	Damping	0 - 32 seconds
Max. Pressure	40 MPa	Response Time	200 mS
Material (1)	Flange/Adapter: Stainless Steel 304 / Stainless Steel 316	Mounting	Bracket on 2" Pipe
Material (2)	Drains/Vents: Stainless Steel 304 / Stainless	Humidity Limit	0 to 100% Relative Humidity
Material (3)	Diaphragm: Stainless Steel 316L / Hastelloy	Turn on Time	2 Seconds with minimum damping
Wetted O-Ring	Buna N / Viton / PTFE	Zero Calibration	Automatic zero calibration by press-button
Bolts & Nuts	Carbon Steel / Stainless Steel 316	Cable Entry	M20 Conduit Threads / 1/2" NPT (Female)
Mounting Bracket	Carbon steel / Stainless Steel 304 / 316	Temperature Effect	+/-0.18% ~ +/-0.5% of span per 20 °C
Name / Tag Plate	Stainless Steel 304 / Stainless Steel 316	Vibration Effect	+/-0.05% of URL per g to 200 Hz in any axis
Converter Housing	Low copper cast aluminum alloy with polyurethane, light blue paint	EMI/RFI Effect	Follow SAMA PMC 33.1 from 20 to 1000 MHz and for field strengths up to 30 V/m
Fill Fluid	Silicone / Fluorine Oil	Process Connection	1/4" - 18 NPT /1/2" - 14 NPT (with adapter)
Protection Class	IP65 (Standard) Intrinsically Safe EEx ia IIC T5 (Standard) Explosion proof Ex D IIB T5	Ambient Temperature	-25 to +80 °C
		Dimensions	102 mm (W) * 188 mm (H) * 130 mm (D)
		Weight	3.5 Kg

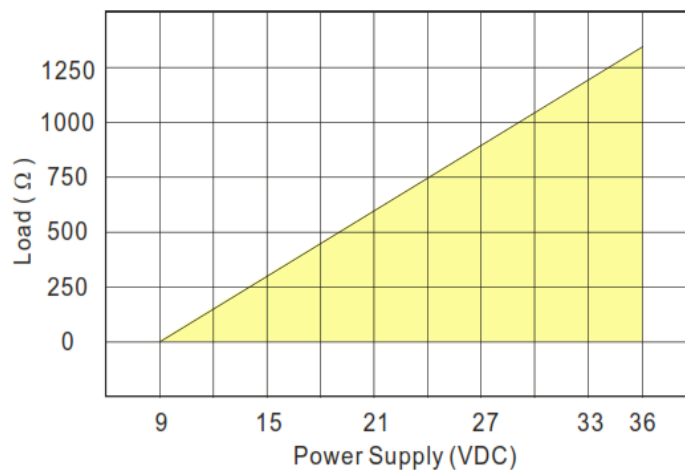
WIRING THE TRANSMITTER



DIEMENSION



SUPPLY VOLTAGE VS LOOP LOAD



MODEL SELECTION GUIDE

Item	Code	Specification
DF3051DP		Differential Pressure Transmitter
DF3051GP		Gauge Pressure Transmitter
Measurement Range	0	0-0.014~0.217 psi (0-0.001~0.015bar)
	1	0~1.08 psi (0~0.075 bar)
	2	0~5.42 psi (0~0.374 bar)
	3	0~27.09 psi (0~1.86 bar)
	4	0~100.07 psi (0~6.9 bar)
	5	0~299.9 psi (0~20.68 bar)
	6	0~999.31 psi (0~68.9 bar)
	7	0~2999.3 psi (0~206.80 bar)
Output	A	4-20mA, HART Protocol, Linear output
	B	4-20mA, HART Protocol, Square root output (Range≥5kpa)
Diaphragm Material	2	Stainless Steel 316L Silicone Oil
	3	Hastelloy C (range >3Kpa) Silicone Oil
	A	Stainless Steel 316L Fluorine oil
Drain hole	B	Back of process flange or none
	U	Process flange side upper
	L	Process flange side lower
Wetted O-ring Material	7	Buna-N (NBR)
	6	Viton (FKM) (Temperature ≥-20°C)
	5	Low Temperature Viton (FKM-GFLT)
Process Connection	CF	1/4" NPT F
Maximum Pressure Limit	P1	140 bar (40bar for range 2)
	P3	250 bar
	P9	320 bar
Housing material/Cable Entry	A	ALUMINIUM /1/2"NPT
	B	ALUMINIUM/ M20*1.5
Mounting Bracket	B0	None
	B5	Tube-type Flat Bracket (carbon steel)
	B6	Wall mounting bracket (carbon steel)
	B4	Tube type 2-in. pipe (stainless steel)
Integral assembly	S1	Assemble to one 1199 Diaphragm seal
	S5	Assemble to Integral Valve Manifold
Display and interface options	M5	LCD display
Product Certification	I1	Intrinsically safe (Exia IIC T4~T6)
	E8	Intrinsically safe type, Flameproof (Exd IIC T4~T6)
Optional	D1	Stainless steel drain valve or screw (2pcs)
	C1	1/2" NPT female waist flange (2sets)
	C12	1/2" NPT-M20*1.5-Φ14 pressure pipe (2sets)
	C2	M20*1.5 male thread T joint (2sets)
	C21	M20*1.5 T joint -Φ14 pressure pipe (2sets)
	K1	Degreasing treatment

Contact:

WebSite: www.difaco.com

Email: info@difaco.com

Tell: +9821 88343692-3

