

DIFA 3351 Series Pressure Transmitter



DIFA3351 Series Pressure Transmitter is a Good solution with more variety and efficiency for Control System and problem diagnosis.

GENERAL

DIFA 3351TG/TA series is a digital pressure transmitter designed for industrial pressure measurement applications.

The DF3351TG(TA) offer configurations for gauge pressure, absolute pressure and vacuum including integrated solutions for industrial applications.

FEATURES

Updating time of output current in 90 ms, Improved performance, increased accuracy and greater stability

Two years stability of 0.15%

0.1% accuracy

Parameter setting by keypad directly

4-20 mA output plus direct digital HART communication

Automatic zero calibration by press-button

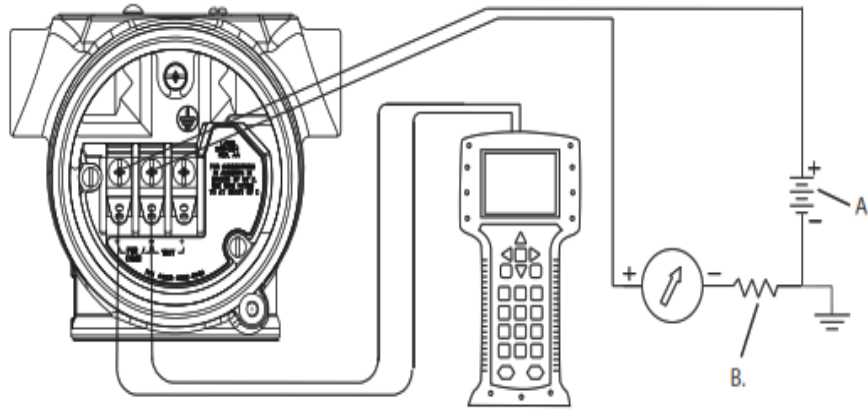
Explosion proof and weather proof housing

STANDARD SPECIFICATION

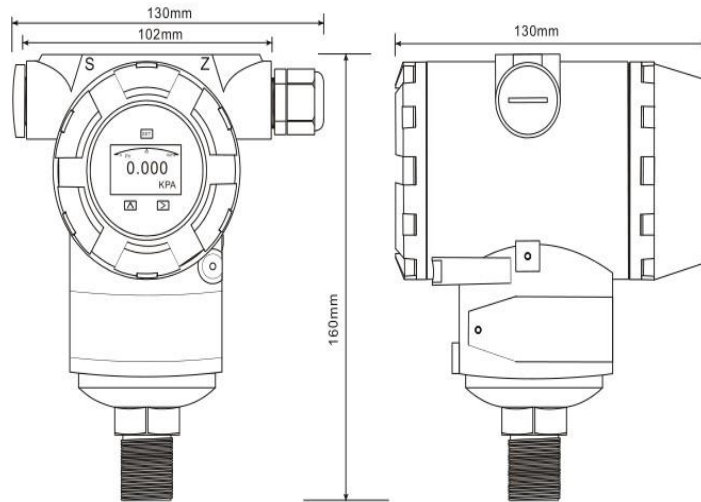
Process Fluid	Liquid, Gas or Vapor
Application	Absolute Pressure, Gauge Pressure, Vacuum
Measuring Range	: 0 - 10 Kpa ~ 0 - 30 Kpa (Minimum) 0 - 32 Mpa ~ 0 - 70 Mpa (Maximum)
Stability	+/-0.15% of URL for 2 years
WorkingTemperature	-25 to +95 °C
Max. Pressure	70 Mpa
Material (1)	Connection: SUS 304 / SUS 316
Material (2)	Housing: Low copper cast aluminum alloy with polyurethane, light blue paint
Material (3)	DiaphragmSUS 316L / Tantalum
Name / Tag Plate	Stainless Steel 304 / Stainless Steel 316
Protection Class	IP67 (Standard) Intrinsically Safe EEx ia IIC T5 (Standard) Explosion proof Ex D IIB T5
Display	5 Digits programmable & 0-100% Bargraph
Display Unit	Standard 22 different engineering unit 5 Digits programmable for special unit

Keypad	3 internal keys for Programming and output setting
Current Output	4 - 20 mA 2 wires with Hart Signal (Compatible) Load: Rohm=(Vdc-9) *50
Power Supply	9 ~ 36 VDC
Damping	0 - 32 seconds
Response Time	100 mS
Mounting	Direct installation or bracket on 2" Pipe
Humidity Limit	0 to 100% Relative Humidity
Turn on Time	2 Seconds with minimum damping
Zero Calibration	Automatic zero calibration by push-button
Cable Entry	M20 Conduit Threads / 1/2" NPT (Female)
Temperature Effect	+/-0.18% ~ +/-0.5% of span per 20 °C
ProcessConnection	1/2" NPT, 1/2" BSP
Ambient Temperature	-25 to +85 °C
Dimensions	102 mm (W) * 160 mm (H) * 130 mm (D)
Weight	1.3 Kg
Accuracy	+/- 0.1% of span

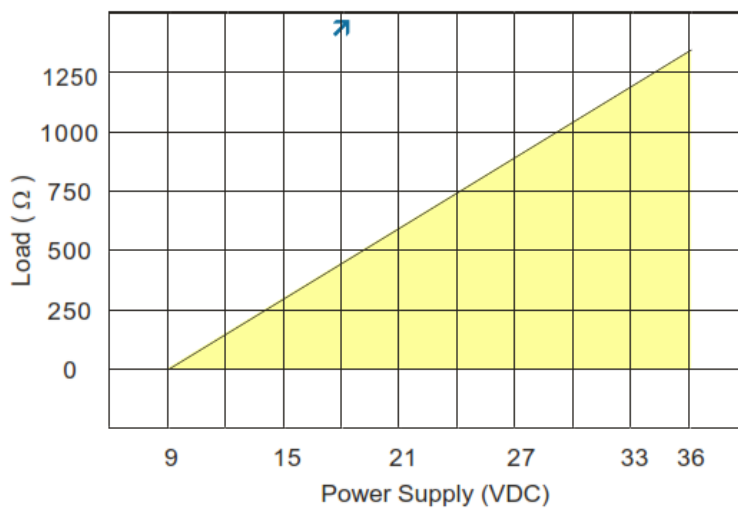
WIRING DIAGRAM



DIMENSIONS



SUPPLY VOLTAGE VS LOOP LOAD



Item	Code	Specification
DF3351TG		Gauge Pressure Transmitter
DF3351TA		Absolute Pressure Transmitter
Measurement Range	A	0-0.217~1.087 psi (0-0.015~0.075 bar)
	B	0 ~5.42 psi (0~0.374 bar)
	0	0~26.97 psi (0~1.86 bar)
	1	0~100.07 psi (0~6.9 bar)
	2	0~299.9 psi (0~20.68 bar)
	3	0~999.3 psi (0~68.9 bar)
	4	0~2999.3 psi (0~206.8 bar)
	5	0~6000.2 psi (0~413.7 bar)
Output	A	4-20mA, HART Protocol, Linear output
Diaphragm Material	2	Stainless Steel 316L
	3	Hastelloy C
	1	Customizable
Fill Fluid	1	Silicone Oil
	2	Fluorine oil
Process Connection	2B	1/2" NPT F
	2A	M20*1.5
	2D	1/2" NPT M
	2C	1/2" G
	2M	Customizable
Housing material/Cable Entry	A	ALUMINIUM/ M20*1.5
	B	ALUMINIUM/ 1/2" NPT
Mounting Bracket	B0	None
	B5	Tube-type Flat Bracket (carbon steel)
	B6	Wall mounting bracket (carbon steel)
	B4	Tube type 2-in. pipe (stainless steel)
Integral assembly	S1	Assemble to one 1199 Diaphragm seal
	S5	Assemble to Integral 2 Valve Manifold
Calibration certification	Q4	Calibration certificate
Display and interface options	M5	LCD display
Product certifications	I1	Intrinsically safe (Exia IIC T4~T6)
	K6	Intrinsically safe & Flameproof (ExdIIC)
	E8	Flameproof (Exd IIC T4~T6)
	Wo	Without Certification
SST tagging	Y2	316 SST nameplate
Optional	C4	Lightning protection
	C2	Degreasing treatment

Contact:

WebSite: www.difaco.com

Email: info@difaco.com

Tell: +9821 88343692-3

